

# EDCON-COMPONENTS



The Push Button serie are used in controlling circuit of AC50Hz and 60Hz, voltage to 660V DC voltage below 400V, it is used for controlling signal and interlocking. The main body adopts zinc alloy and high grade anti-flamming plastic. The contacts adapts special silver alloy, so it enjoys high anti-electrical erosion property. The signal lamp series are suitable to electrical appliance circuit of AC Voltage 380V 50Hz or 60Hz, DC below 380V, used as kinds of indication signal, warning signal, accident signal and other signals equipments. Our products comply with GB/T 14048.1 and IEC 60497-5-1, al products has gained CE, ISO 9001, ROHS and UL certification.

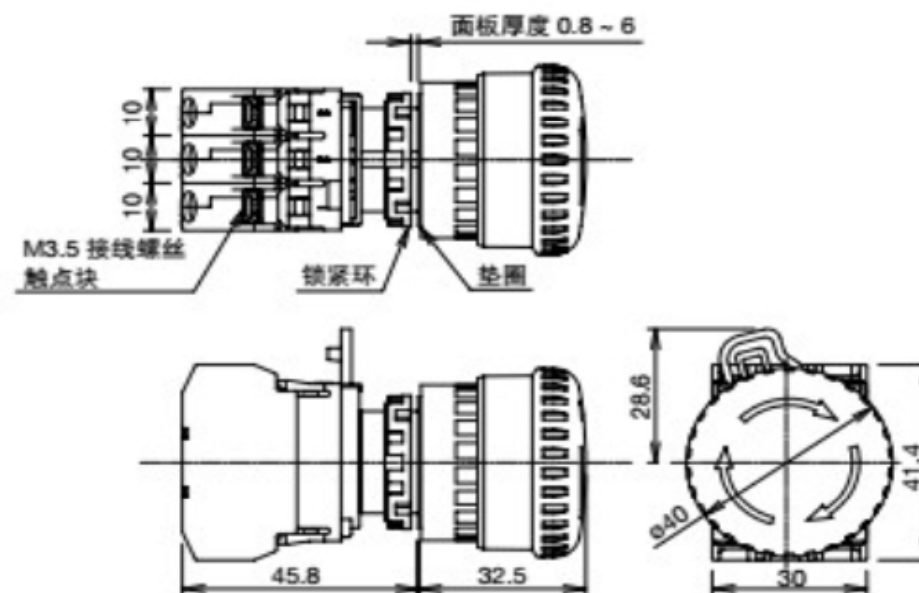
## Technical Parameter

Rated insulation Voltage	AC 600V (50Hz/60Hz)	
Conventioell heating current	10A	
Insulation resistance	≥ 50M Ω	
Contact resistance	≤ 25MM in Ω	
Mechanical Life	100 x 10 <sup>4</sup> (Pushbutton)	50 x 10 <sup>4</sup> (Selectorswitch Key Switches)
Electrical Life	500 x 10 <sup>4</sup> (Pushbutton)	25 x 10 <sup>4</sup> (Selectorswitch Key Switches)

## Work environment

Surrounding Temperature: -25°C ~ +55°C  
 Air relative humidity: ≤ 85%  
 It can be normally work under following condition:  
 Vibration frequency is 2~ 80Hz and accelaration speed is 0,7g/h.  
 Pollution grade is 3, installation sort is III, protection grade is up to IP65.  
 Altitude: ≤ 2000M

## Technical Drawing



### Emergency-Industrial Push Button

Part No.: **21C1000 -**

Customer:

DRW:	Jason	CHKD	Wilson	MATL:	Wilson	TOLERANCE	Mason	DATE	01.12.2022
APPD:	Schumi			FINISH	Jamy		Sheet No.	1 from 2	

# EDCON-COMPONENTS



## Ordering Informations

Serie	Button Color Code	Diameter	No function	Contact type	No function	No function	ROHS	Packing		
<b>21C1000 -</b>	<b>RD</b>	<b>60</b>	<b>X</b>	<b>1</b>	<b>X</b>	<b>X</b>	<b>R</b>	<b>BU</b>		

<b>RD= Red Color</b>	<b>60= Diameter 60mm</b>	<b>X= No function</b>	<b>1= 1xN/O Contact</b>	<b>X= No function</b>	<b>X= No function</b>	<b>R= ROHS Conform</b>	<b>BU= BULK-WARE</b>
	<b>29= Diameter 60mm</b>		<b>2= 1xN/C Contact</b>			<b>N= NON ROHS Conform</b>	<b>IN= Individual</b>
	<b>40= Diameter 40mm</b>		<b>3= 1xN/C Contact</b>				
			<b>4= 1xN/C + 1xN/O Contact</b>				
			<b>5= 2xN/C + 1xN/O Contact</b>				
			<b>6= 1xN/C + 2xN/O Contact</b>				

<b>Emergency-Industrial Push Button</b>	
Part No.:	<b>21C1000 -</b>
Customer:	

DRW:	Jason	CHKD	Wilson	MATL:	Wilson	TOLERANCE	Mason	DATE	01.12.2022
APPD:	Schumi			FINISH	Jamy		Sheet No.		2 from 2